

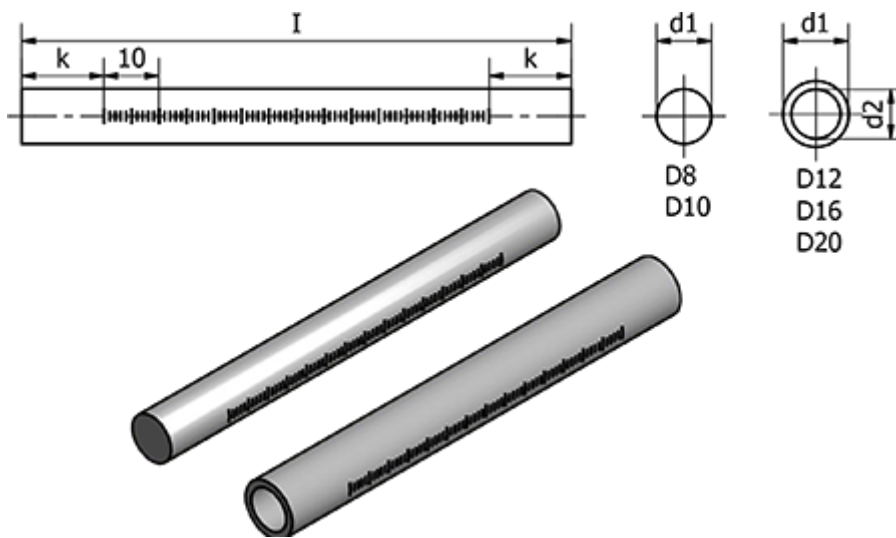
Data Sheet



Article number: 204801D15100NILS

Description: E+G Retaining tube with scales - GN 480.1-D15-100-NI-LS

Measures



d1	= 15
d2	= 12
l	= 100
k	= 20
Weight (g)	= -